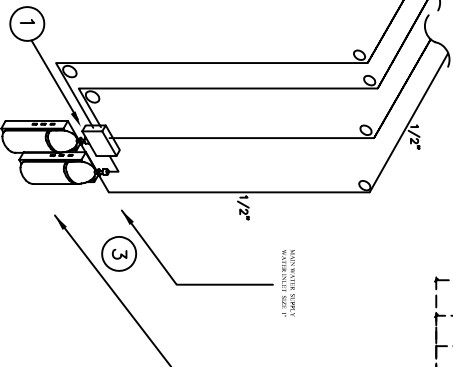
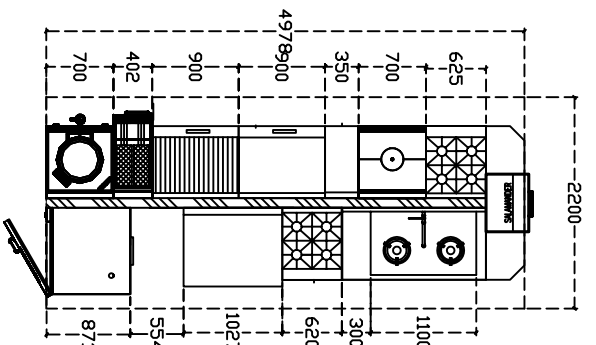


HOOD 4970X2200X50

**DESCRIPTION**

1. CYLINDER CONTROL HEAD
2. PIPING : STAINLESS STEEL
3. CYLINDER (DOT-66-175 Rated)
4. NOZZLES
5. REMOTE MANUAL PULL STATION
6. FUSIBLE LINK KITS
7. AUTOMATIC GAS SHUT-OFF VALVE
8. CORNER PULLEYS AND ACCESSORIES
9. PRODUCT PRO-CHEM (FIRETRUCK)

Note : Nozzle Size 3/8"



Detail cylinder form PIRANHA

CLIENT				PROJECT				TITLE						
REVISION	DESCRIPTION	BY	DATE	APPROVED	REVISION	DESCRIPTION	BY	DATE	APPROVED	REVISION	DESCRIPTION	BY	DATE	APPROVED
DESIGNED					DRAWN	K.Boonsong L.				CHECKED				
APPROVED				APPROVED				APPROVED						
SCALE				SCALE				SCALE						
DATE				DATE				DATE						
SHEETNO.				SHEETNO.				SHEETNO.						
DIR.NO.				DIR.NO.				DIR.NO.						
REV.				REV.				REV.						

WET CHEMICAL RESTAURANT KITCHEN  
FIRE SUPPRESSION SYSTEM